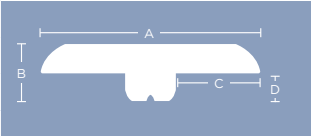
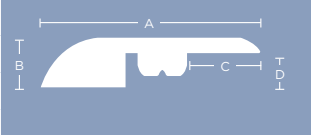
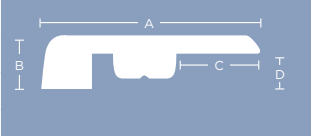
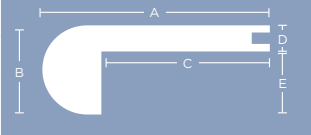
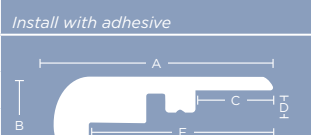




# GENESIS

Waterproof WPC by METROFLOR™

## MOLDING PROFILES

Molding Profile		Dim. (in)	Dim. (mm)	
T-Molding*		A	1¾"	45mm
		B	7/16"	10mm
		C	5/8"	15mm
		D	¼"	7mm
Reducer*		A	1¾"	45mm
		B	7/16"	10mm
		C	½"	12mm
		D	¼"	7mm
End Cap*		A	1⅝"	35mm
		B	7/16"	10mm
		C	11/32"	9mm
		D	¼"	7mm
Flush Mount Stair Nose	 <i>Install with adhesive</i>	A	4 <sup>11</sup> / <sub>16</sub> "	110mm
		B	1"	25mm
		C	3 <sup>27</sup> / <sub>32</sub> "	98mm
		D	¼"	7mm
		E	2 <sup>3</sup> / <sub>32</sub> "	18mm
Overlap Stair Nose*		A	2 <sup>3</sup> / <sub>16</sub> "	53mm
		B	2 <sup>3</sup> / <sub>32</sub> "	18mm
		C	5/8"	17mm
		D	¼"	7mm
		E	1 <sup>5</sup> / <sub>8</sub> "	33mm
Quarter Round		A	¾"	19mm
		B	¾"	19mm
Trim Track		A	1 <sup>5</sup> / <sub>32</sub> "	12mm
		B	7/32"	6mm
Length (All)		94 <sup>1</sup> / <sub>2</sub> "	240mm	

\*Installs with included trim track.

All measurements are approximate.